

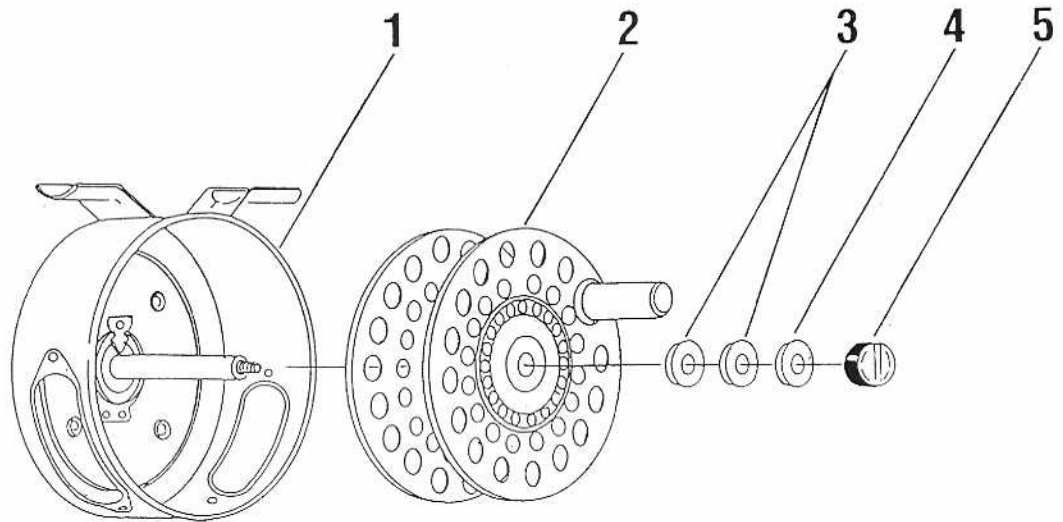
MARTIN™ TUFFY 60 and TUFFY 61

SPECIFICATIONS:

30 yds. WF6F plus 50 yds.
of 20# backing capacity
3.75 oz. Weight
3" Diameter
3/4" Spool Depth

FEATURES:

Reinforced, formed
aluminum frame
Perforated aluminum alloy
spool with coin slot
release
All-metal click drag with
on/off control
Right or left hand retrieve
(on Tuffy 61 only)
One-year limited warranty



Key No.	TUFFY 60 Part No.	TUFFY 61 Part No.	Description	Price
2	F1B	F2B	Spool Assembly	4.15
3	292	292	Felt Washer	.15
4	369-01A	369-01A	Lock Washer	.32
5	370-01A	370-01A	Lock Nut	1.16

ReelSchematic

MODEL INTRODUCED	EFFECTIVE DATE OF PARTS LIST/DIAGRAM	Oct. 1996	DISCONTINUED	N/A
------------------	--------------------------------------	-----------	--------------	-----

Prices subject to change without notice. Prices do not include postage and handling.

PLEASE ORDER BY PART NUMBER Zebco Division Brunswick Corporation, Box 270, Tulsa, OK 74101 USA 918-831-6965

